

PATLITE®

New Frontiers in Safety, Security and Comfort



Your signal tower
washdown problems
are looking up.

LS7-9 LED SIGNAL TOWER

High pressure, high temperature, maximum washdown protection.

HYGIENIC DESIGN & CLEANING FRIENDLY



THE **LS7-9** LED SIGNAL TOWER

Made to take the High temperature, High pressure washdowns associated with food processing and other extreme cleaning conditions.

Meat/poultry/fish processing facilities need to keep equipment clean of salmonella and other bacterial issues. This requires high-pressure & high-temperature washdowns to eliminate bacteria growth. As a result, many signal towers and other components get damaged and have to be replaced. A faulty signal tower compromises safety and run time. The signal tower is a key part of your operation and is used to tell machine operators the status of the machine. If the user has a faulty signal tower, they are not running efficiently and they may be missing some vital cues that keep the process running smoothly.

The days of covering signal towers and other sensitive components with plastic bags before washdowns are over with the LS7-9 LED Signal Tower.

LS7-9 OPTIONS



M12 CONNECTOR & CABLE Manufactured by the OMRON Corp.

SZ-120-02 Cable Length 2m (XS2F-D821-DH0-R)

SZ-120-05 Cable Length 5m (XS2F-D821-GH0-R)

SZ-120-10 Cable Length 10m (XS2F-D821-JH0-R)

LS7-9 REPLACEMENT PARTS

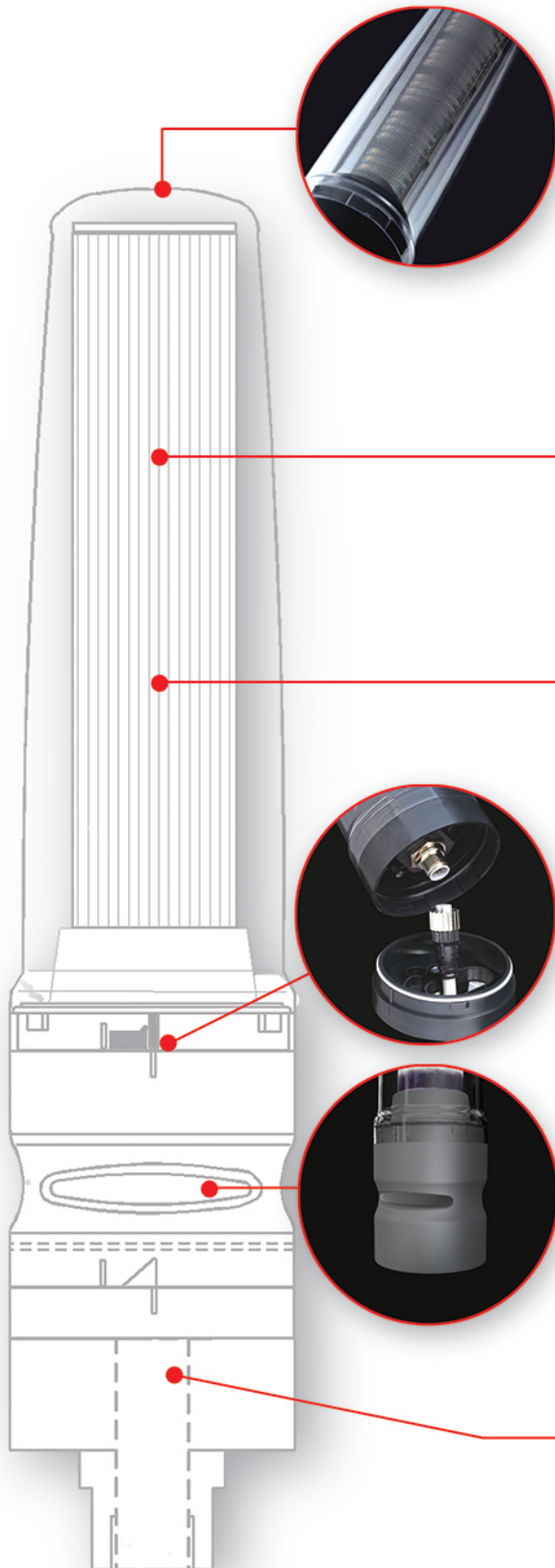


SILICON O-RING,
Z35721039



POLYCARBONATE OUTER COVER,
B45110011-F1

UNIQUE FEATURES OF THE LS7-9



SMOOTH-SURFACED BODY PROTECTION

Our smooth surface body design reduces the adhesion of water, dust, and other contaminants. The body structure covers screws, shafts, etc., that otherwise would be exposed. This is ideal for applications in the lithium ion battery manufacturing, food processing, and pharmaceutical industries. The cover is made of shock-resistant polycarbonate, reducing the risk of environmental stress cracks.

DYNAMIC HIGH-CONTRAST VISIBILITY

Our inner lens LED emits a more even and efficient light. The contrast is increased when the Signal Tower lights up or flashes, with a distinguishable signal color that dramatically improves visibility.

QUALITY YOU CAN COUNT ON

The LS7-9 has passed various tests for water resistance, dust, temperature, and variable vibration frequency tests to ensure performance in a variety of environments.

M12 CONNECTOR WIRING SIMPLICITY

The stackable design and M12 quick disconnect connector (Cable Sold Separately) can drastically reduce labor and time - making removing and relocating smoother. *

Lead Wiring is also available.

OUTSTANDING BUZZER SOUND

The alarm for the LS7-9 was designed with special frequencies so it can be heard above the noise of cutting machines.

FOOD-GRADE 1/2" NPT BRACKET

MADE OF DELRIN

Easy to mount with a 1/2" NPT pole.

* When using an M12QD, only 1 buzzer sound is available.

LS7-9 LED SIGNAL TOWER



Specifications

Model	Number of Lighting Units	Body Color	Rated Voltage	Mounting	Rated Current Consumption	Maximum Rated Current	Maximum Sound Pressure	Operating Temperature Range	Protection Rating
LS7-302-9	3 Tiers	Off-white (No Mark) Dark Gray (D)	DC 24V (±10%)	1/2" NPT Natural White (N) or Dark Gray (D)	Red: 20mA Yellow, Green, Blue, White: 30mA	Red: 35mA Yellow, Green, Blue, White: 40mA	Buzzer1 ab. 82dB Lead Wire Type (Intermittent beep1) M12 Connector Type (Continuous Beep)	-30°C } 60°C	Illumination Type IP69K Buzzer Type IP69K
LS7-502-9	5 Tiers				Buzzer: 40mA	Buzzer: 55mA	Buzzer2 ab. 85dB Lead Wire Type (Intermittent Beep2) M12 Connector Type (None)		

LED Signal Tower **LS7-** ① 02 ② ③ ④ W ⑤ 9 ⑥ - ⑦

Ex.: **LS7-302WC9N-RYGN**
 • Body Color...Off-white • Lighting...Illumination • Buzzer...None
 • Wiring...M12 Connector • 1/2" NPT...Natural White
 • LED Colors:Red, Yellow, Green, (Blank), (Blank)

※F type models with Illumination • Flashing are only available for Lead Wire and requires an H mark.
 ※C type models (M12 Connector Type) are only available with a continuous sound buzzer.

- ① No. of Lighting Units
3: 3 Tiers 5: 5 Tiers
- ② Body Color
No Mark: Off - white
D: Dark Gray
- ③ Lighting
No Mark: Illumination Only
F: Illumination - Flashing
- ④ Buzzer
No Mark: No Buzzer
B: Buzzer
- ⑤ Wiring
C: M12 Connector
H: Lead Wires※
- ⑥ 1/2" NPT
N: Natural White
D: Dark Gray
- ⑦ LED Color
R: Red G: Green C: White
Y: Yellow B: Blue N: Blank

Drawing (Unit : mm)

